



FE9380-HV

Fisheye Network Camera

5MP • 360° Fisheye • WDR Pro • 360° 10M IR • Smart IR • Smart Stream III • IP66 • IK10

- H.265 compression Technology
- 30 fps @ 1920x1920
- SNV (Supreme Night Visibility) for Low Light Conditions
- Smart Stream III to Optimize Bandwidth Efficiency
- WDR Pro for Improved Visibility in Extremely Bright and Dark Environments
- Built-in IR Illuminators, Effective up to 10 Meters
- Weather-proof IP66-rated and Vandal-proof IK10-rated Housing
- Built-in MicroSD/SDHC/SDXC Card Slot for On-board Storage
- Trend Micro IoT Security
- Built-in Microphone
- Local Dewarping



Overview

The 5-Megapixel FE9380-HV is the newest addition to the VIVOTEK 360° fisheye family. The FE9380-HV is a true day/night camera, with a removable IR-cut filter and 360° IR illumination up to 10 meters radius. It supports up to 30fps at full 5MP resolution as well as WDR Pro 120dB to maintain excellent image quality in high contrast lighting environments. These features greatly enable the FE9380-HV to provide clear images 24 hours a day.

To meet the demands of harsh outdoor applications, the FE9380-HV is armed with an IP66-rated housing for protection from rain and dust, as well as IK10-rated for robust protection against acts of vandalism. Lastly the FE9380-HV uses H.265 compression technology. When combined with Smart Stream III, H.265 helps to reduce bandwidth and storage consumption up to 90%*, enabling the FE9380-HV to record more detailed 360° images while simultaneously helping to reduce costs.

* Depending on scenes

Technical Specifications

System Information

Model	FE9380-HV
CPU	Multimedia SoC (System-on-Chip)
Flash	128MB
RAM	512MB

Camera Features

Image Sensor	1/2.7" Progressive CMOS
Max. Resolution	1920x1920
Lens Type	Fixed-focal
Focal Length	f = 1.16 mm
Aperture	F2.25
Auto-iris	Fixed-iris
Field of View	180° (Horizontal) 180° (Vertical) 180° (Diagonal)
Shutter Time	1/5 sec. to 1/32,000 sec.
WDR Technology	WDR Pro
Day/Night	Yes
Removable IR-cut Filter	Yes
IR Illuminators	Built-in IR illuminators, effective up to 10 meters with Smart IR, IR LED*4
Minimum Illumination	0.05 Lux @ F1.16 (Color) <0.005 Lux @ F1.16 (B/W) 0 Lux with IR illumination on
Pan/Tilt/Zoom Functionalities	ePTZ: 12x digital zoom (12x on IE plug-in)
On-board Storage	Slot type: MicroSD/SDHC/SDXC card slot Seamless Recording

Video

Video Compression	H.265, H.264, MJPEG
Maximum Frame Rate	24 fps @ 1920x1920 (WDR on) 30 fps @ 1920x1920 (WDR off)
Maximum Streams	4 simultaneous streams
S/N Ratio	63.3 dB
Dynamic Range	120 dB
Video Streaming	Adjustable resolution, quality and bit rate control, Smart Stream III
Image Settings	Adjustable image size, quality and bit rate, time stamp, text overlay, flip and mirror, configurable brightness/contrast/saturation/sharpness, white balance, exposure control, gain, backlight compensation, privacy masks, scheduled profile settings, 3DNR, video rotation, defog

Audio

Audio Capability	One-way Audio
Audio Compression	G.711, G.726
Audio Interface	Built-in microphone
Effective Range	5 meters

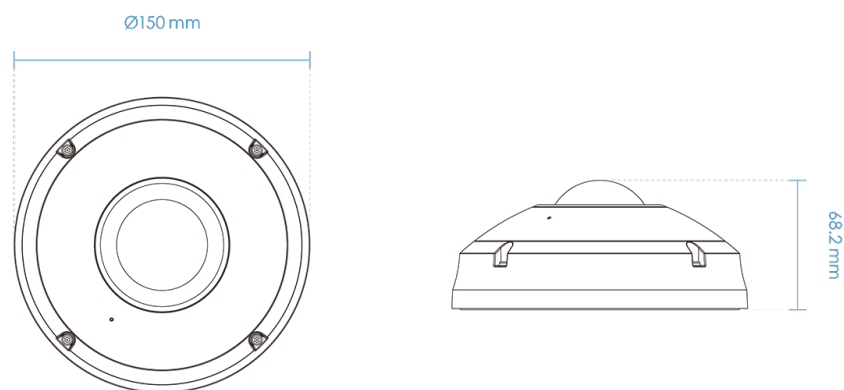
Network

Users	Live viewing for up to 10 clients
Protocols	802.1X, ARP, CIFS/SMB, CoS, DDNS, DHCP, DNS, FTP, HTTP, HTTPS, ICMP, IGMP, IPv4, IPv6, NTP, PPPoE, QoS/DSCP, RTSP/RTP/RTCP, SMTP, SNMP, SSL, TCP/IP, TLS, UDP, UPnP
Interface	10 Base-T/100 Base-TX Ethernet (RJ-45) *It is highly recommended to use standard CAT5e & CAT6 cables which are compliant with the 3P/ETL standard.
ONVIF	Supported, specification available at www.onvif.org

Solution Integration

Video Motion Detection	Five-window video motion detection
VADP Package	Trend Micro IoT Security, Stratocast
Alarm and Event	
Alarm Triggers	Motion detection, periodical trigger, system boot, recording notification, camera tampering detection, manual trigger, Audio detection, SD card life expectancy, cybersecurity events (brute force attack event, cyberattack event, quarantine event)
Alarm Events	Event notification via email, HTTP, FTP, NAS server, SD card File upload via email, HTTP, FTP, NAS server, SD card
General	
Connectors	RJ-45 cable connector for 10/100Mbps Network/PoE connection *1
LED Indicator	System power and status indicator
Power Input	IEEE 802.3af PoE Class 0
Power Consumption	Max. 12 W (IR on) Max. 3.8 W (IR off)
Dimensions	Ø 150 x 68.2 mm
Weight	695 g
Casing	IP66, IK10
Safety Certifications	CE, FCC Class A, UL, LVD, VCCI, C-Tick
Operating Temperature	Starting Temperature: -10°C ~ 60°C (14°F ~ 140°F) Working Temperature: -30°C ~ 60°C (-22°F ~ 140°F)
Humidity	90%
Warranty	36 months
System Requirements	
Operating System	Microsoft Windows 8/7 Mac 10.12 (Chrome only)
Web Browser	Chrome 58.0 or above Internet Explorer 10/11
Other Players	VLC: 1.1.11 or above
Included Accessories	
Others	Quick installation guide, alignment sticker, screw pack, warranty card, desiccant bag

Dimensions



Compatible Accessories

Mounting Kits



AM-525
Pendant mount