

DB1260 Series

Time Delay Setting: 0/3/6/10 Sec.

A Setting:

Case 1-	Power on the DB1260-PTO when door is close: Bolt will not retract if time delay setting is 0 second; Bolt will retract if time delay setting is 3/6/10 seconds, then after a time delay (3/6/10 sec), bolt will automatically extend. However, in these time delay periods, if door is opened and then closed again, bolt will extend right away.
Case 2-	Power on the DB1260-PTO when door is open: Bolt will retract, and extend right away if door is closed.
Case 3-	Power on the DB1260-PTL when door is close: After a time delay (0/3/6/10 sec), bolt will automatically extend. However, in these time delay periods, if door is opened and then closed again, bolt will extend right away.
Case 4-	Power on the DB1260-PTL when door is open: Bolt will extend right away if door is closed.
Case 5-	Push the exit-switch when DB1260 is powered and bolt extends: Bolt will retract, and after a time delay (3/6/10 sec), bolt will automatically extend. However, in these time delay periods, if door is opened and then closed again, bolt will extend right away.
Case 6-	Push the exit-switch when DB1260 is powered and door is open: Bolt will extend right away if door is closed.

B Setting:

Case 1-	Power on the DB1260-PTO when door is close: Bolt will not retract if time delay setting is 0 second; Bolt will retract if time delay setting is 3/6/10 seconds, then after a time delay (3/6/10 sec), bolt will automatically extend. However, in these time delay periods, if door is opened and then closed again, the time delay will reset and count again.
Case 2-	Power on the DB1260-PTO when door is open: Bolt will retract. If door is closed, after a time delay (0/3/6/10 sec), bolt will automatically extend. However, in these time delay periods, if door is opened and then closed again, the time delay will reset and count again.
Case 3-	Power on the DB1260-PTL when door is close: After a time delay (0/3/6/10 sec), bolt will automatically extend. However, in these time delay periods, if door is opened and then closed again, the time delay will reset and count again.
Case 4-	Power on the DB1260-PTL when door is open: if door is closed, after a time delay (0/3/6/10 sec), bolt will automatically extend. However, in these time delay periods, if door is opened and then closed again, the time delay will reset and count again.
Case 5-	Push the exit-switch when DB1260 is powered and bolt extends: Bolt will retract, and after a time delay (3/6/10 sec), bolt will automatically extend. However, in these time delay periods, if door is opened and then closed again, the time delay will reset and count again.
Case 6-	Push the exit-switch when DB1260 is powered and door is open: if door is closed, after a time delay (0/3/6/10 sec), bolt will automatically extend. However, in these time delay periods, if door is opened and then closed again, the time delay will reset and count again.

If bolt is out and not in the right position, after 6 seconds, bolt will automatically retract. Later, bolt will extend right away if door is opened and then closed again.

If bolt is out and not in the right position, in 6 seconds, bolt will automatically retract if door is opened. Later, bolt will extend right away if door is closed again.

Note: 1. When power is on and door is close, system will automatically set 3 seconds time delay once the exit-switch is pushed to close momentarily and if the **Time Delay Setting** is set to 0 second.

2. The bolt will retract when the exit-switch (**Brown Wire & Yellow Wire**) is pushed to close momentarily. The bolt will remain retract (For example: during business hours) as long as these two wires are closed.

Bi-color LED Status (E Option):

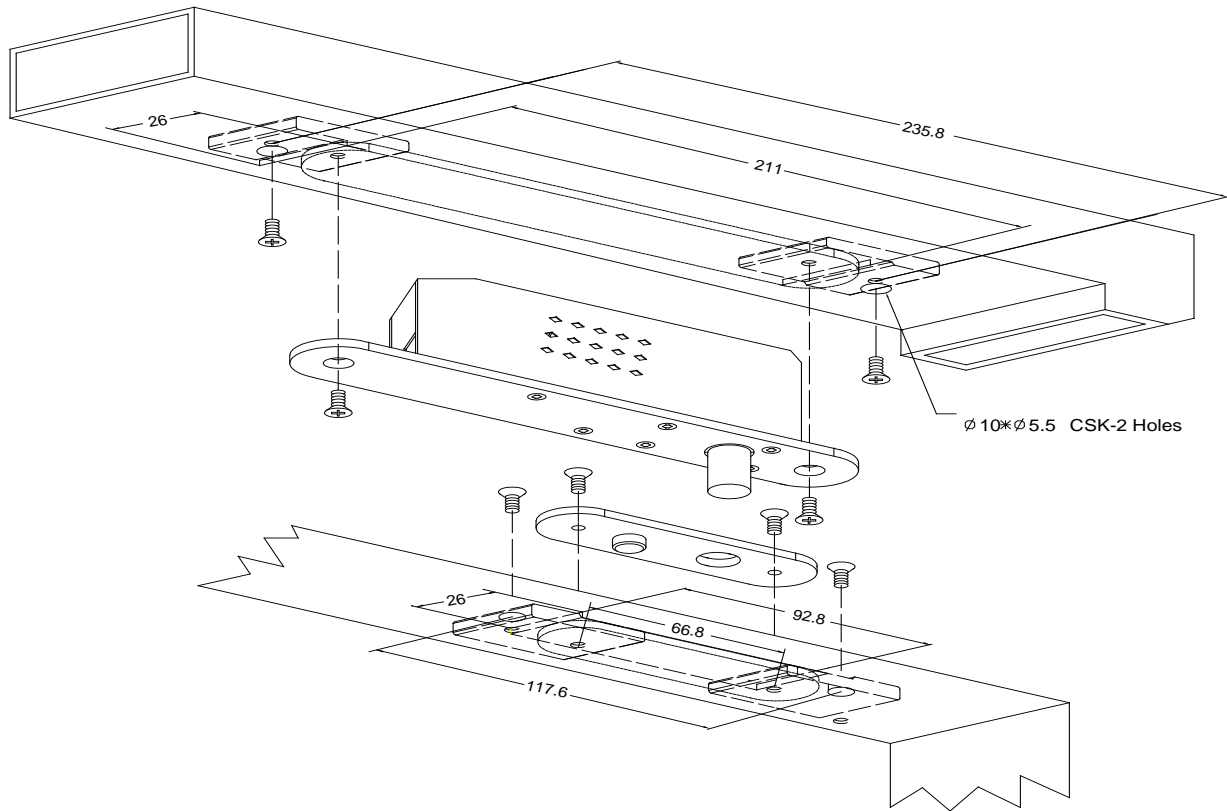
1. Extend Successfully: Green blinks every 5 seconds.
2. Wait for Extend: Red blinks fast.
3. Delay Period: Red blinks slowly.
4. Wait for Delay Start: Red on. (B Setting only)
5. Bolt Remain Retract: Red/Green blinks alternatively.

Buzzer Status (T Option):

1. Extend Successfully: Beep! Beep!.
2. Extend Fail: Beep! ... Beep! 10 seconds.
3. Retract Successfully: Beep!.

Note: Set DIP4 ON/OFF to set Buzzer ON/OFF.

Aluminum, Metal, PVC Door Installation



Wooden Door Installation

